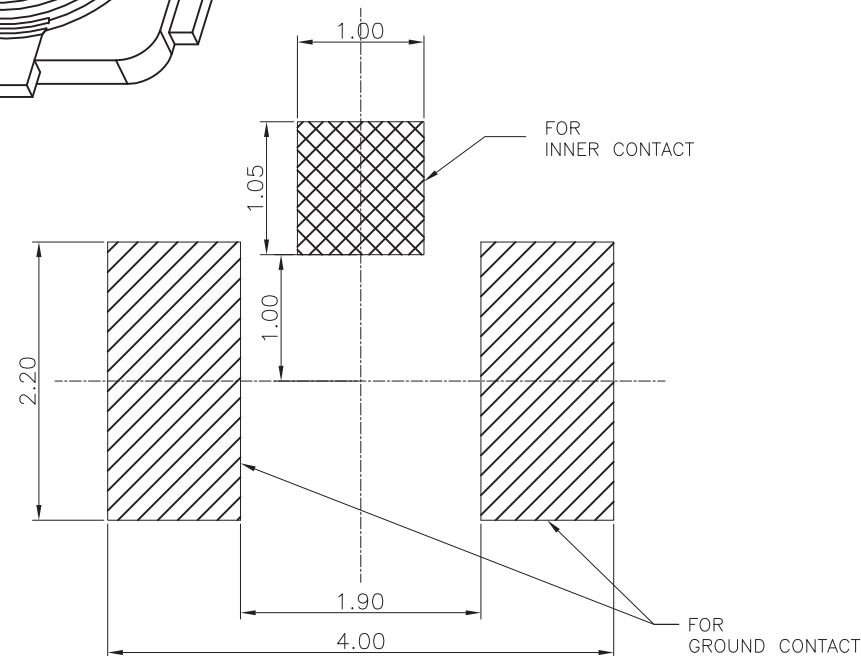
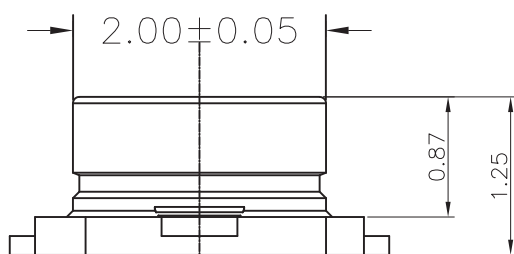


NOTE:1

1. ELECTRICAL CHARACTERISTICS:
  - 1.1 CURRENT RATING: 0.5A MAX.
  - 1.2 IMPEDANCE:50OHM NOMINAL.
2. MECHANICAL CHARACTERISTICS:
  - 2.1 OPERATING TEMP. -40°~90°
  - 2.2 VEWR UP TO 3GHz:1.3MAX.  
3GHz TO 6GHz:1.4MAX.
  - 2.3 DURABILITY:30CYCLES



3	GROUND CONTACT	1	COPPER ALLOY	Au PLATING OVER NI OVER ALL	
2	INNER CONTACT	1	COPPER ALLOY	Au PLATING OVER NI OVER ALL	
1	HOUSING	1	LCP UL94V-0		
ITEM	DESCRIPTION	Q'TY	MATERIAL	FINISH	REMARK

NOTE:2

1. HOUSING MATERIAL: LCP, BLACK, UL94V-0.
2. TERMINAL MATERIAL: COPPER ALLOY (C2680),  
Au:3u", Ni:50~120u".
3. SHELL MATERIAL: COPPER ALLOY (C5191),  
Au:1~3u", Ni:50~120u".



TITLE:  
RF BOARD END CONNECTOR, FIRST GENERATION

DWG NO.:  
113-0000-004

.X± 0.25	.X± 5°	APPD: Max 9/2'11	CUSTOMER DRAWING
.XX± 0.25	.XX± 3°	CHKD: Max 9/2'11	
.XXX±	.XXX± 1°	DR: Andy 9/2'11	

PART NO.:  
CFP110W12



UNITS	SCALE	SHEET	REV.
mm	1:1	1/1	X1