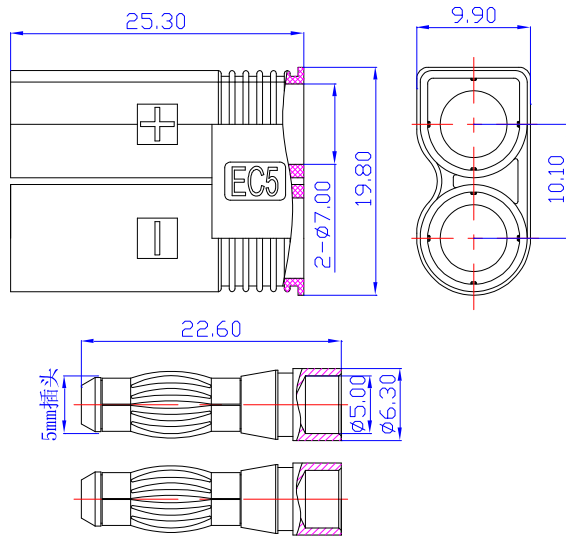



AMASS

(Item No): EC5-M

(Drawing)



■ (Material & Parameter)

Item No.	EC5-M	CR	0.40mΩ
COLOR			DC 500V
Metal Material	Brass Gold Plated	RC	40A
Plastic Material	PA	MC	90A
FR LEVEL	UL94 V0	USE TIMES	1000 TIMES
Recommend USE	CONTROLLER	Cable SPEC.	10AWG
CERTIFICATION	---	TEMPERATURE	-20°C to 120°C

★ (Data sheet will change according with the test background)