

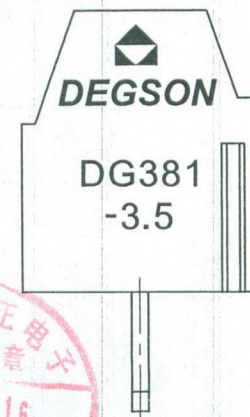
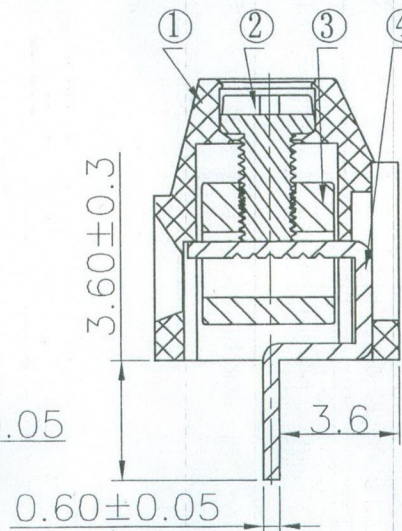
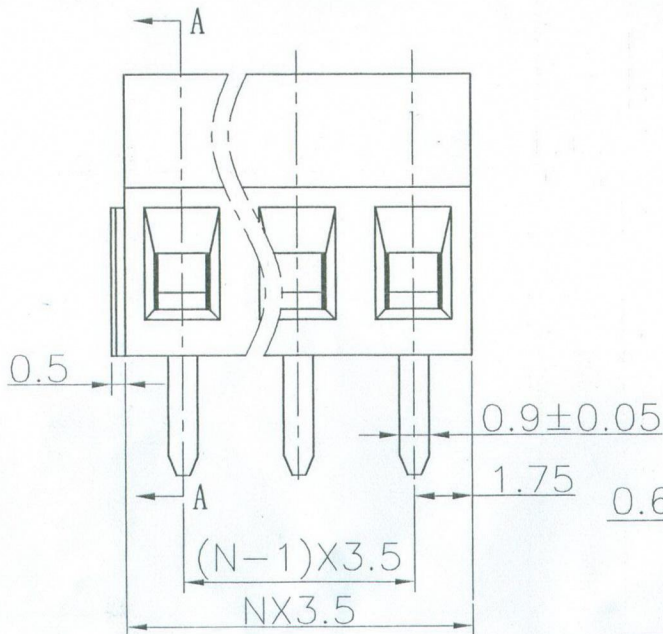
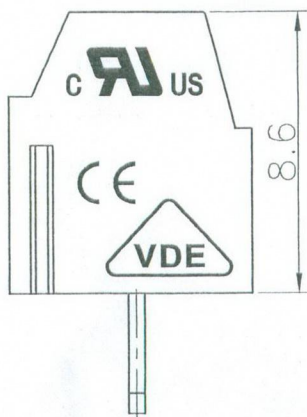
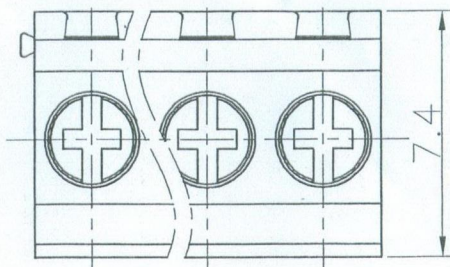
D1RFRD006

REVISION RECORD				
REV	ECO	DESCRIPTION	DRFT	DATE

Notes:

- Pitch: 3.5mm, Poles: 2-24P
- Rated voltage/current: UL 150V/10A
VDE 130V/10A
- Operation temperatures: -40°C ~ +105°C
- Withstanding Voltage: AC2000V/1min
- Insulation Resistance: 5000MΩ/DC1000V
- Wire Range: 26~16AWG, 1.0mm²
- Max. Torque Value: M2, 2.04kgf.cm
- Undimensioned Tolerances:

Pitch range in mm		Nominal dimension range in mm					—	
to 6	over 6 to 10	over 10 to 24	over 30 to 60	over 60 to 100	over 100 to 150	over 150	∩ □	
±0.10	±0.15	±0.25	±0.2	±0.3	±0.5	±0.7	±1.0	0.05/1.0



SECTION A-A

4	DG381 Pin header	4047B00010 (H)	XX	Phosphor bronze	SnCe
3	DG381 Cage	X000000300 (H)	XX	Brass	Ni plated
2	DG381 "十" Screws-M2	S000001710 (H)	XX	Steel	Cr ³⁺ Zn

ITEM	NAME OF PART	NO. OF PART	Q'TY	MATERIAL	NOTES
1	DG381-3.5-Housing	4032A0YXXA (H)	1	PA66	UL94V-0

DFTO L/H CHKD DATE 05/16/08 MFO DATE 05/16/08 APPVL DATE 05/16/08	DATE 05/16/08 DATE 05/16/08 DATE 05/16/08	NAME DG381-3.5-XXP-1Y-02A(H)
TOLERANCES EXCEPT AS NOTED .00 ± .000 ±		MATERIAL : G.E : FINISH : SCALE :
ANGLES ± 1° THIRD ANGLE PROJECTION		NAME DG381-3.5-XXP-1Y-02A(H) DRAWING NO. DG381-3.5-E09 /PART NO. DO NOT SCALE DRAWING
DEGSON® 宁波高正电子有限公司 DEGSON ELECTRONICS CO., LTD		SIZE A3 REV TO 05/16/08