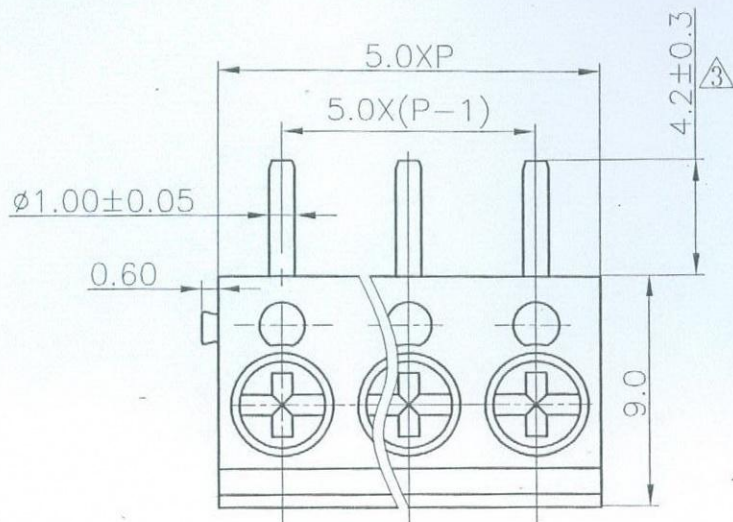


D1RFRD006

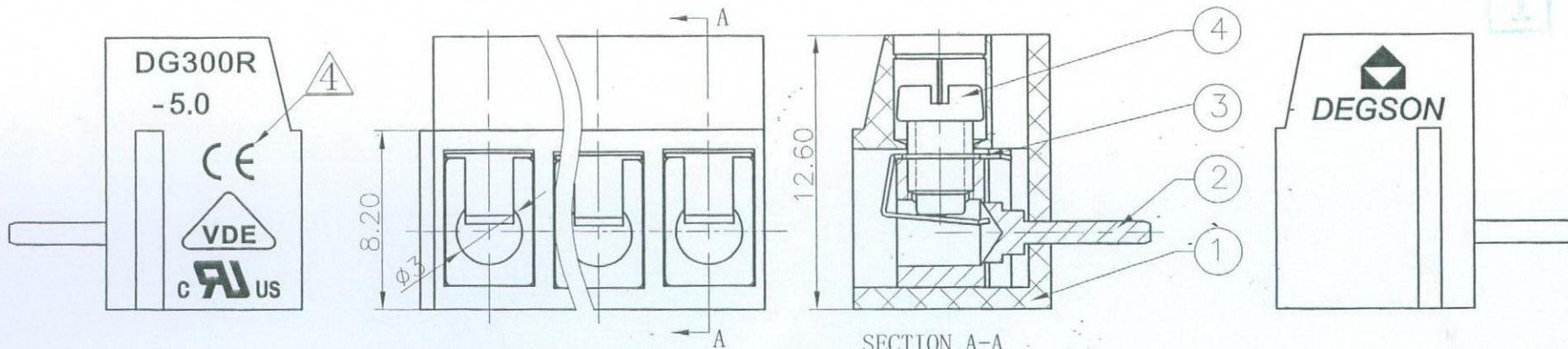
REVISION RECORD				
REV	ECO	DESCRIPTION	DRFT	DATE
△		Drawing Revise	Haoyh	03/15/08
△		修改刻字	CSX	05/08/08
△		修改出脚尺寸	CSX	07/03/07
△		增加VDE, CE标志	LJH	12/24/07



Notes:

- Pitch: 5.0mm
- Rated voltage/current: UL 300V/10A  
VDE 250V/24A
- Operation temperatures: -30°C~+120°C
- Withstanding Voltage: AC2000V/1Min
- Insulation Resistance: 5000MΩ/DC1000V
- Wire Range: 22~14AWG, 2.5mm<sup>2</sup>
- Max. Torque Value: 5.1kgf.cm
- Undimensioned Tolerances:

Pitch range in mm		Nominal dimension range in mm										
to	over	to	over	to	over	to	over					
6	6 to 10	10	10 to 24	24	24 to 30	30	30 to 60	60	60 to 100	100	100 to 150	150
	±0.10	±0.15	±0.25	±0.2	±0.3	±0.5	±0.7	±1.0	±0.05/0.10			



1	DG300R-5.0-Housing	4002A0YXXA (H)	1	PBT	UL94V-0
ITEM	NAME OF PART	NO. OF PART	Q'TY	MATERIAL	NOTES
DFTO huangwei DATE 02/21/08 CHKD DATE 01/10/08 MFO DATE APPVL DATE 01/10/08		宁波高正电子有限公司 DEGSON® DEGSON ELECTRONICS CO., LTD			
TOLERANCES EXCEPT AS NOTED: .0 ± .00 ± .000 ±		NAME: DG300R-5.0-XXP-1Y-02A(H) DRAWING NO. DG300R-5.0-E08 /PART NO.			
ANGLES ± 1° THIRD ANGLE PROJECTION		G.E : FINISH : SCALE : 1:1 DO NOT SCALE DRAWING			
DETACHED LISTS: 4 DG300-Screws S000001610 (H) XX Steel Cr <sup>31</sup> Zn 3 DG300-Spring X000000230 (H) XX Stainless steel 2 DG300R-Pin header 4002B00010 (H) XX Brass SnCe			SIZE REV 14 A3 12/24/07 SHEET 1 OF 1		

8 | 7 | 6 | 5 | 4 | 3 | 2 | 1