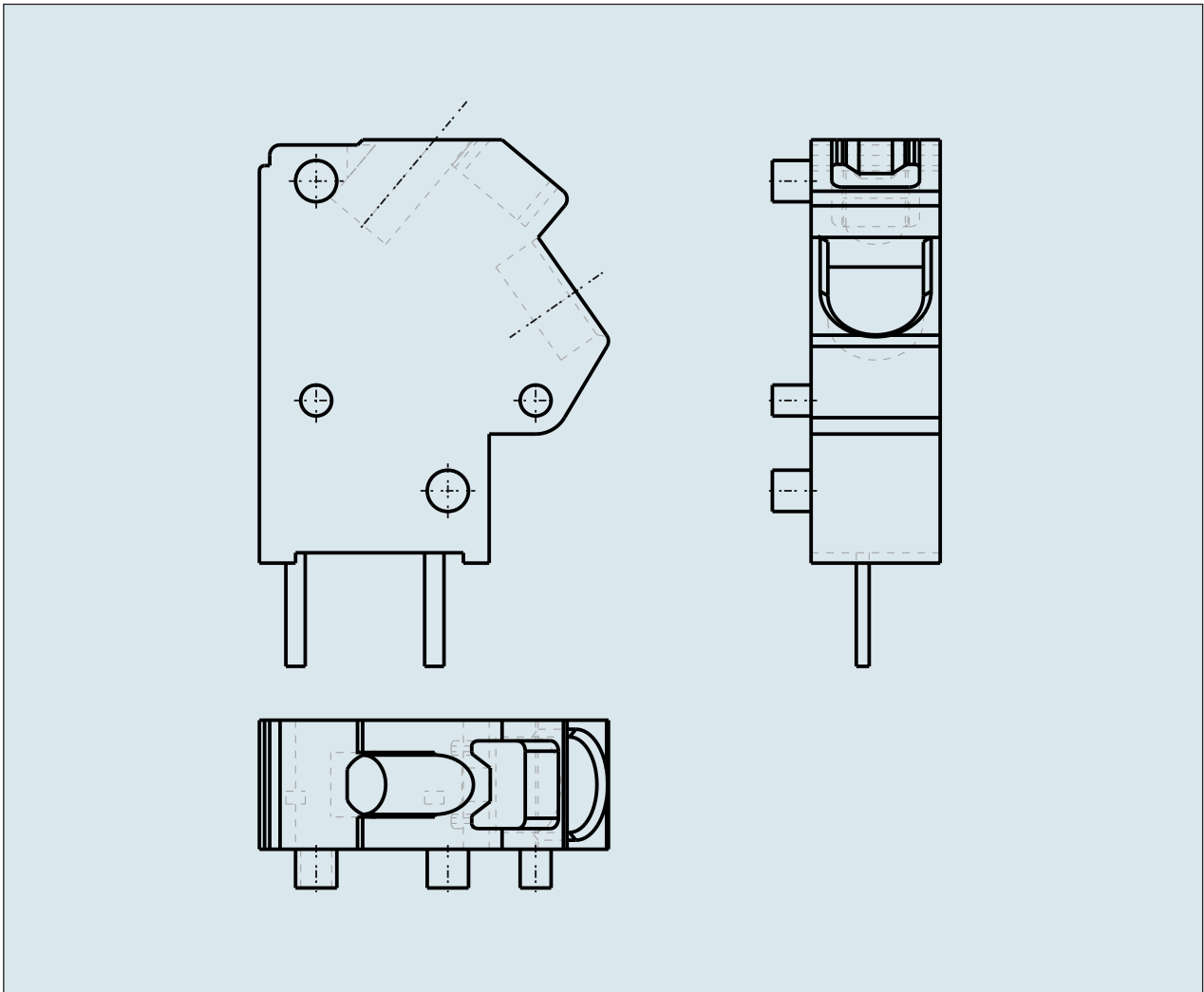
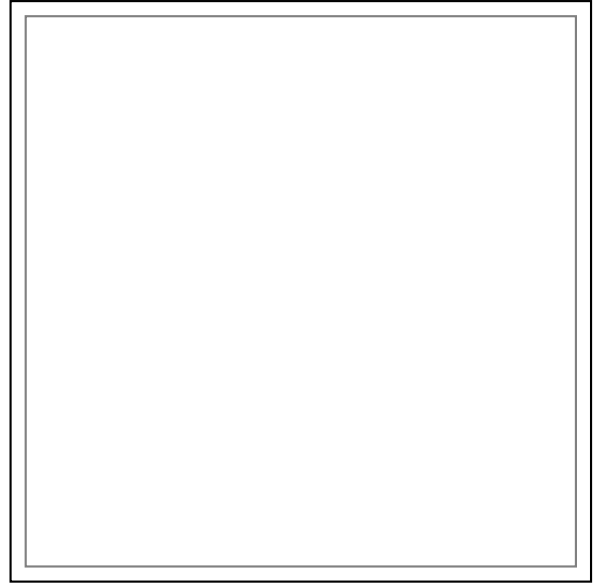
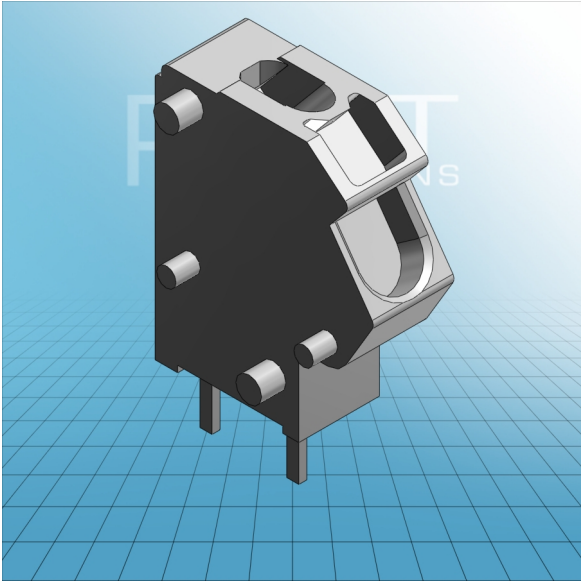




**1-CONDUCTOR PCB TERMINAL  
BLOCK 2 SOLDER PINS / POLE 1  
POLE PIN SPACING 5/5.08 MM / 0.2 IN  
254-451**





**1-CONDUCTOR PCB TERMINAL  
BLOCK 2 SOLDER PINS / POLE 1  
POLE PIN SPACING 5/5.08 MM / 0.2 IN  
254-451**

<b>ITEM-NO. (ITEM-NO.)</b>	254-843
<b>Cross section1 (Cross section / mm<sup>2</sup>)</b>	0.5 - 2.5
<b>Cross section2 (Cross section / AWG)</b>	20 - 12
<b>Strip length (Strip length / mm)</b>	10 - 12
<b>Measured voltage (Measured voltage / V)</b>	320
<b>Measured shock voltage (Measured shock voltage / kV)</b>	4
<b>Pollution degree (Pollution degree)</b>	2
<b>Current intensity (Current intensity / A)</b>	24
<b>RM (PIN SPACING / mm)</b>	5
<b>P (NO. OF POLES)</b>	1
<b>Height (Height / mm)</b>	15.7
<b>Width (Width / mm)</b>	5
<b>Depth (Depth / mm)</b>	13.5
<b>No. of connection Points (No. of connection Points)</b>	1
<b>No. of potentials (No. of potentials)</b>	1
<b>COLOR (COLOR)</b>	lichtgrau
<b>WEIGHT (WEIGHT / g)</b>	1.132
<b>Comment (Comment)</b>	
<b>Dimensions (Dimensions)</b>	1.1 +0.1 mm