



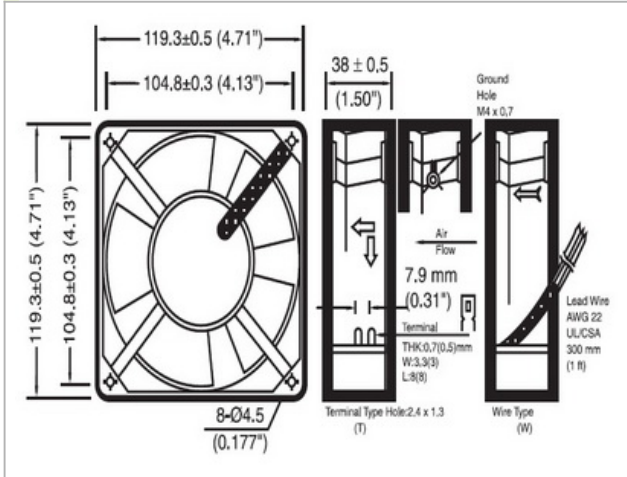
# 120X120X38mm



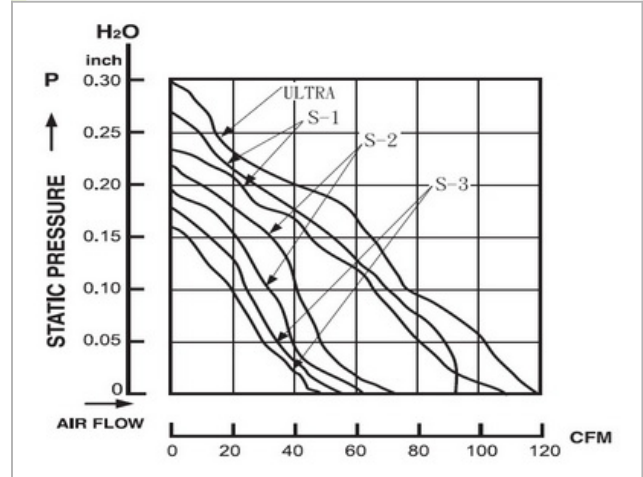
## General Specifications

Airflow	52~120 CFM
Housing	DIE CAST ALUMINUM PAINTED BLACK OR NATURAL COLOR
Impeller	Plastic With Fiber Glass Filled UI 94V-0
Motor Type	Shaded Pole, Impedance Protected
Connecting	Terminal & Wire Leads

## Dimensions:mm



## Performace



## Specifications

Model NO.	Bearing	Rated Voltage/Frequency		Speed	Airflow	Static Pressure		Current	Power		Noise
		VAC	HZ			Inch-H2O	A		W	dBA	
GA1123XBL	2BALL	110/120	50/60	2700/3000	112/120	0.27/0.30	0.25/0.19	18/19	40/45		
GA1123XBT	2BALL	110/120	50/60	2700/3000	112/120	0.27/0.30	0.25/0.19	18/19	40/45		
GA1123XSL	SLEEVE	110/120	50/60	2700/3000	112/120	0.27/0.30	0.25/0.19	18/19	40/45		
GA1123XST	SLEEVE	110/120	50/60	2700/3000	112/120	0.27/0.30	0.25/0.19	18/19	40/45		
GA2123XBL	2BALL	220/240	50/60	2700/3000	112/120	0.27/0.30	0.14/0.12	18/19	40/45		
GA2123XBT	2BALL	220/240	50/60	2700/3000	112/120	0.27/0.30	0.14/0.12	18/19	40/45		
GA2123XSL	SLEEVE	220/240	50/60	2700/3000	112/120	0.27/0.30	0.14/0.12	18/19	40/45		
GA2123XST	SLEEVE	220/240	50/60	2700/3000	112/120	0.27/0.30	0.14/0.12	18/19	40/45		
GA1123HBL	2BALL	110/120	50/60	2700/3000	80/105	0.23/0.28	0.24/0.18	18/17	42/47		
GA1123HSL	SLEEVE	110/120	50/60	2700/3000	80/105	0.23/0.28	0.24/0.18	18/17	42/47		
GA2123HBL	2BALL	220/240	50/60	2700/3000	80/105	0.23/0.28	0.24/0.18	18/17	42/47		
GA2123HSL	SLEEVE	220/240	50/60	2700/3000	80/105	0.23/0.28	0.24/0.18	18/17	42/47		
GA1123MBL	2BALL	110/120	50/60	2200/2500	63/71	0.19/0.21	0.13/0.12	11/10	37/39		
GA1123MSL	SLEEVE	110/120	50/60	2200/2500	63/71	0.19/0.21	0.13/0.12	11/10	37/39		
GA2123MBL	2BALL	220/240	50/60	2200/2500	63/71	0.19/0.21	0.11/0.09	11/10	37/39		
GA2123MSL	SLEEVE	220/240	50/60	2200/2500	63/71	0.19/0.21	0.11/0.09	11/10	37/39		
GA1123LBL	2BALL	110/120	50/60	1800/2000	54/52	0.16/0.15	0.11/0.10	9/8	30/34		
GA1123LSL	SLEEVE	110/120	50/60	1800/2000	54/52	0.16/0.15	0.11/0.10	9/8	30/34		
GA2123LBL	2BALL	220/240	50/60	1800/2000	54/52	0.16/0.15	0.08/0.06	9/8	30/34		
GA2123LSL	SLEEVE	220/240	50/60	1800/2000	54/52	0.16/0.15	0.08/0.06	9/8	30/34		