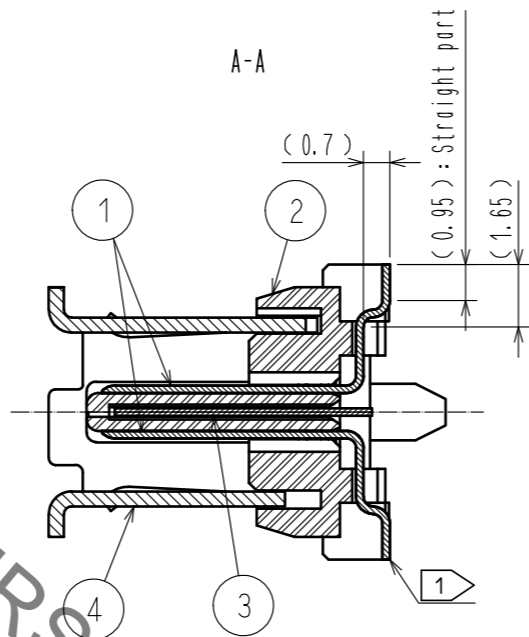
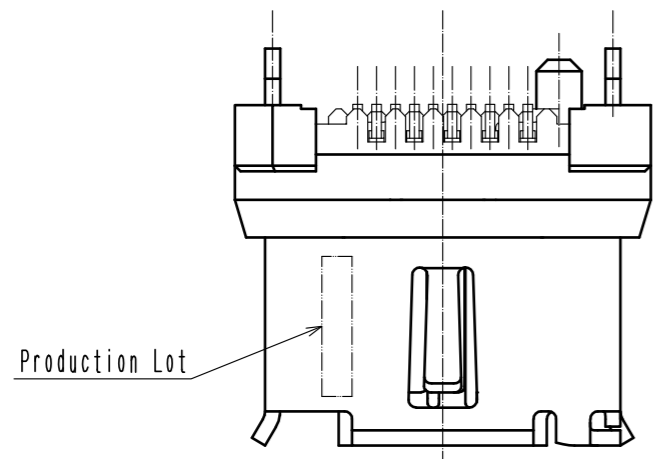
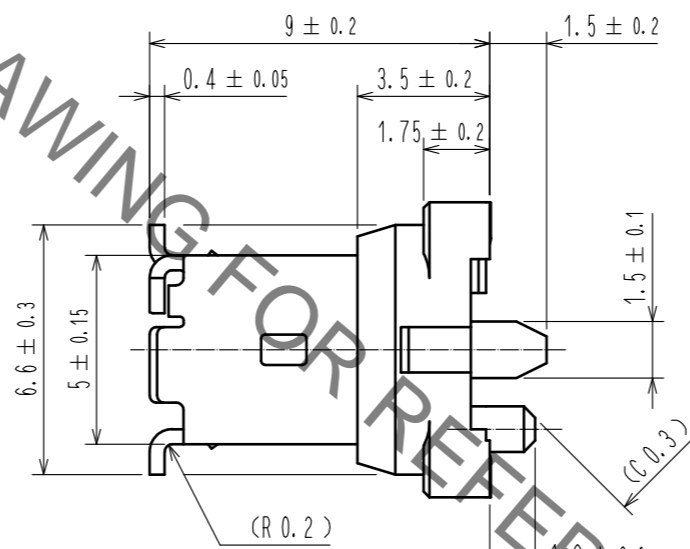
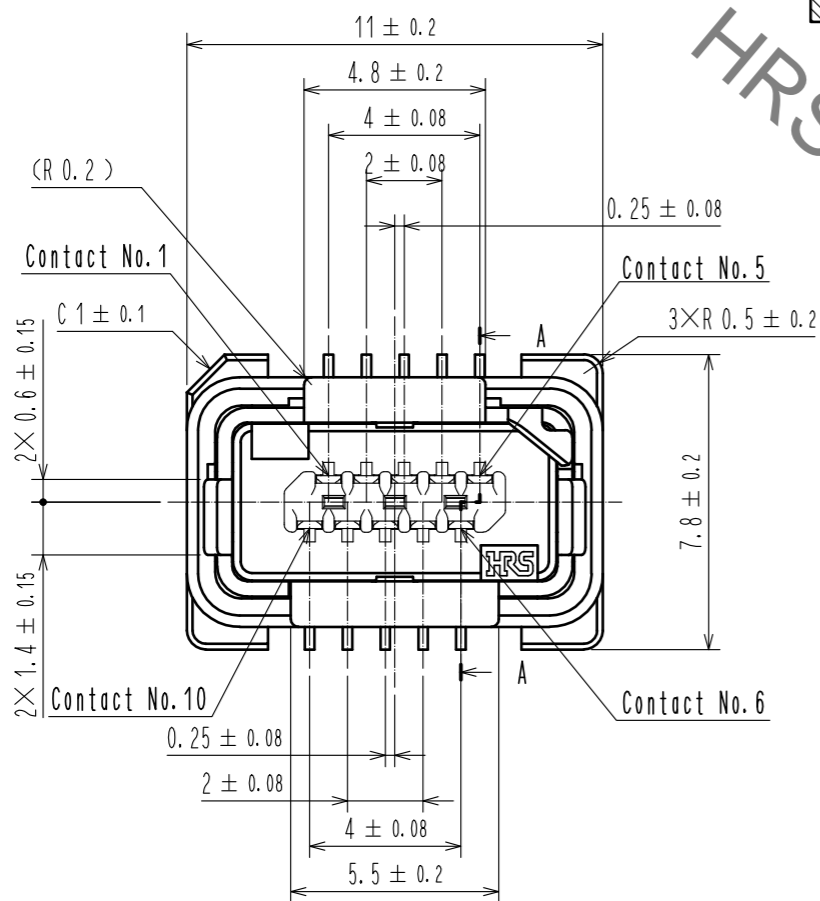


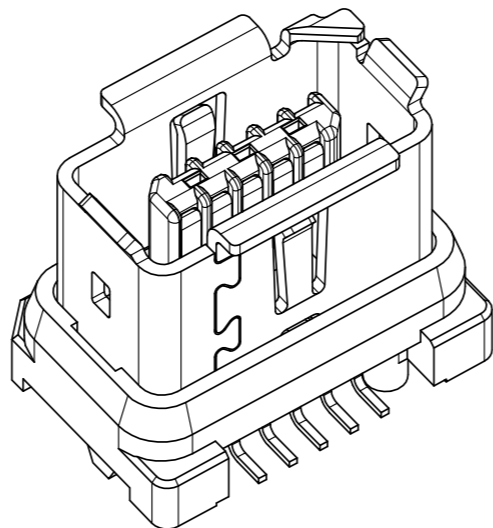
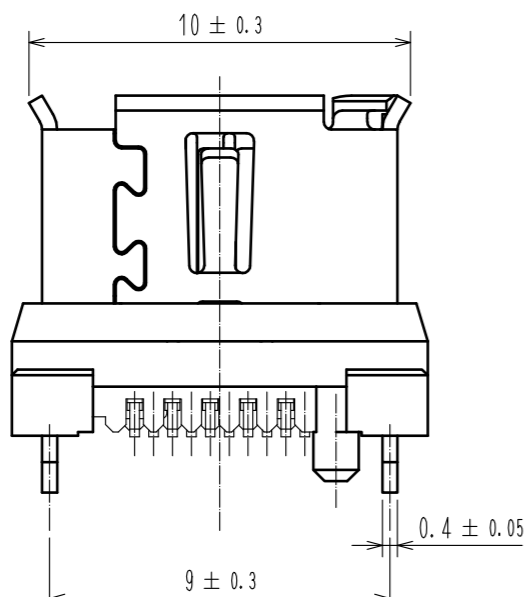
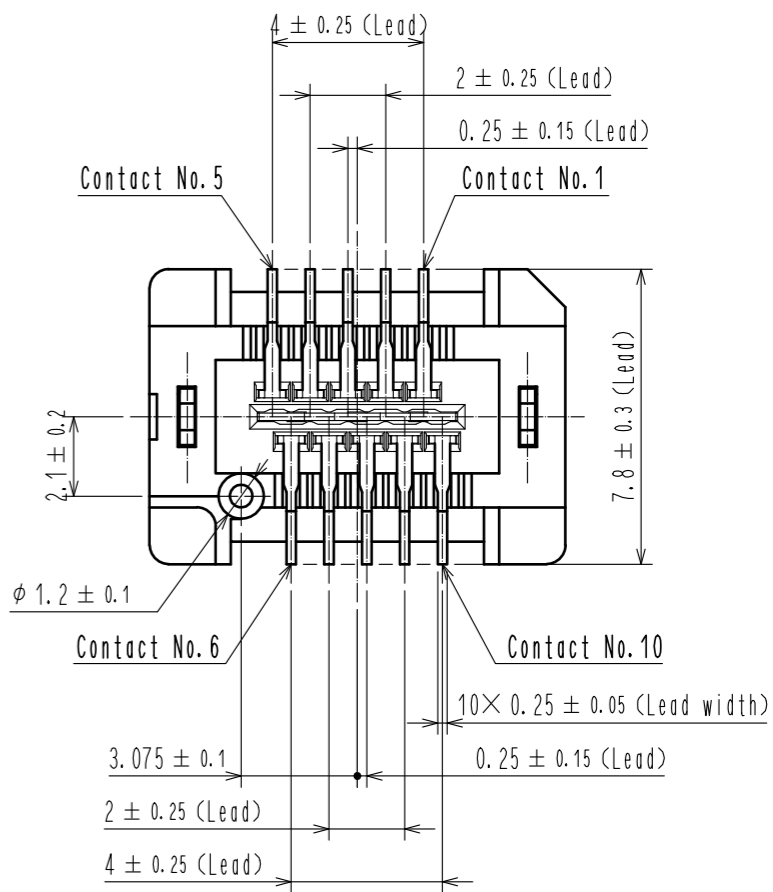
Jan.1.2021 Copyright 2021 HIROSE ELECTRIC CO., LTD. All Rights Reserved.
In case of consideration for using Automotive equipment / device which demand high reliability, kindly contact our sales window correspondents.



- Notes.
- 1 Co-planarity is within 0.1 mm.
 - 2 As for part No.4 the performance remains good though there might be a difference in the plating luster between each plating lots.
 - 3 Per reel : 450 pcs.
The vacuum cap (part No.5) is attached to this product at delivery.
 - 4 Refer to the mated condition diagram for the panel thickness and layout.
 - 5 This product is mounted by reflow soldering.
Refer to specification sheet ELC-129413-00-00 for reflow soldering.

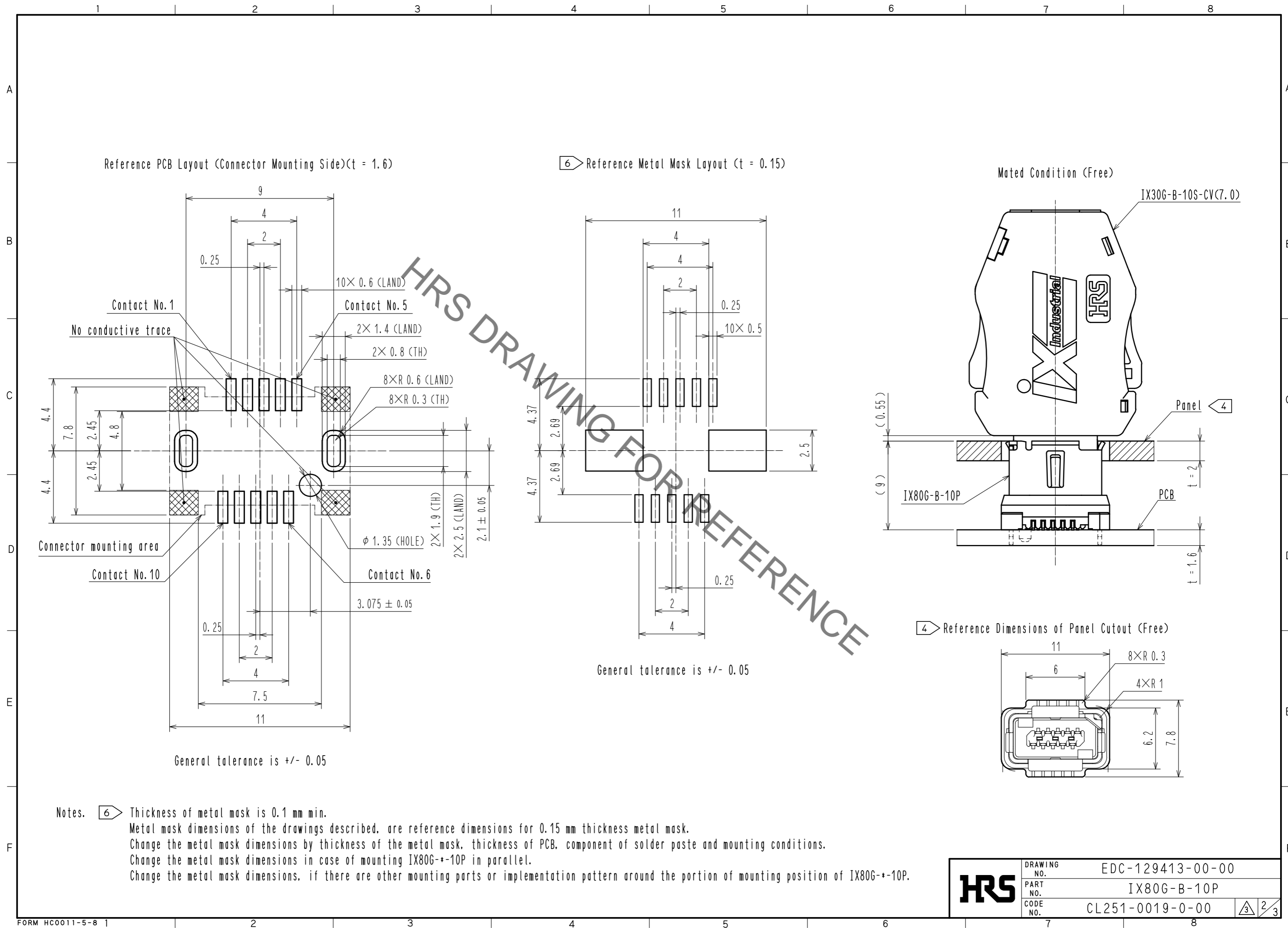


3D image



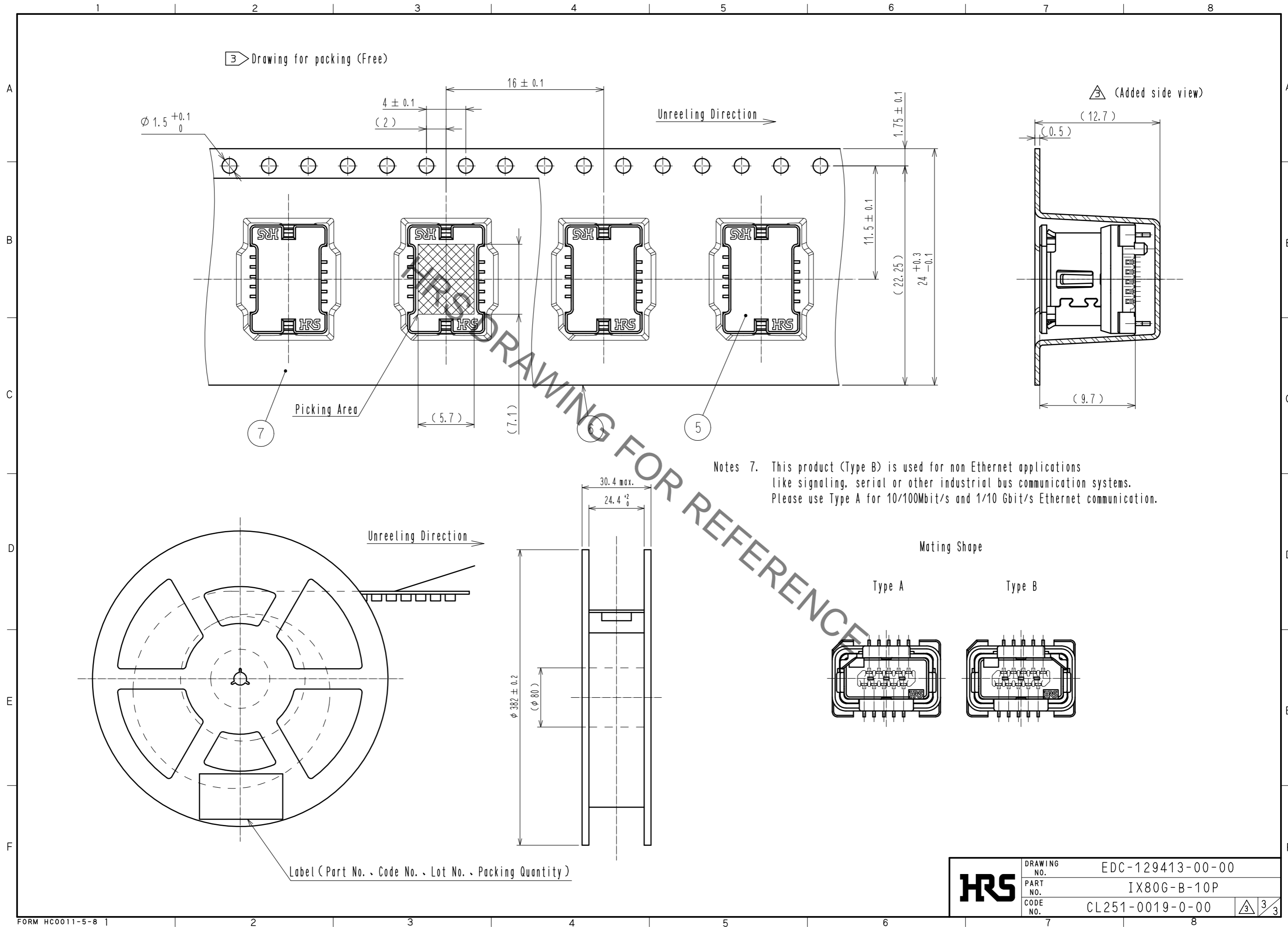
3	Stainless Steel		7	PE	
2	Polyamide	Gray, UL94V-0	6	PS	
1	Copper Alloy	Contact area : Gold 0.2 μm min. Lead area : Gold 0.03 μm min. Under plating : Nickel 2 μm min.	5	Polyamide	Black, UL94V-0
			4	Stainless Steel	Surface : Tin 1 μm min. Under plating : Nickel 0.2 μm min.
NO.	MATERIAL	FINISH, REMARKS	NO.	MATERIAL	FINISH, REMARKS
UNITS	mm	SCALE 5 : 1	COUNT 1	DESCRIPTION OF REVISIONS	DESIGNED TS. ITO
				DIS-E-00003236	CHECKED KI. KAGOTANI
				DATE 20200904	
APPROVED : RI. TAKAYASU 20180423		DRAWING NO. EDC-129413-00-00			
CHECKED : KI. NAGANUMA 20180420		PART NO. IX80G-B-10P			
DESIGNED : YS. SAKODA 20180420		CODE NO. CL251-0019-0-00			
DRAWN : YS. SAKODA 20180420					

Jan.1.2021 Copyright 2021 HIROSE ELECTRIC CO., LTD. All Rights Reserved.
 In case of consideration for using Automotive equipment / device which demand high reliability, kindly contact our sales window correspondents.



HRS	DRAWING NO.	EDC-129413-00-00
	PART NO.	IX80G-B-10P
	CODE NO.	CL251-0019-0-00
		2/3

Jan.1.2021 Copyright 2021 HIROSE ELECTRIC CO., LTD. All Rights Reserved.
 In case of consideration for using Automotive equipment / device which demand high reliability, kindly contact our sales window correspondents.



HRS	DRAWING NO.	EDC-129413-00-00	3/3
	PART NO.	IX80G-B-10P	
	CODE NO.	CL251-0019-0-00	