
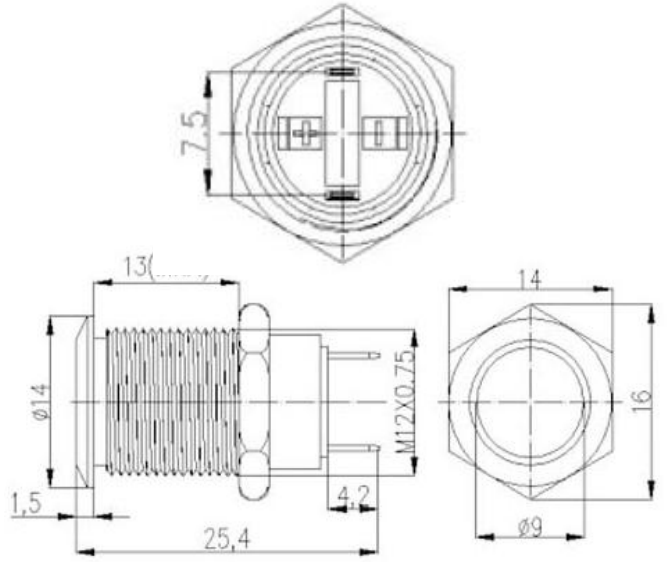


Photo		Drawing	
			
Specification		PRZ W12F11/C II.	
	Tail Configuration	Terminal	
	Dielectric Intensity	2000VAC	
	Ambient Temperature	-20 °C~+55 °C	
	Panel Thickness	1~8mm	
	Nut Torque	5~14Nm	
	Protection Level	IP65,IK08	
	Switch Specification	1 A/250VAC	
	Mounting Hole	12mm	
	Head Type	Flat	
	Operation Stroke	About 2.5mm	
	Mechanical life	more than 500,000 cycles	
	Electrical life	more than 50,000 cycles	
	Function	1NO Momentary	
I	Contact	Silver alloy	
	Enclosure	Copper	
	Base	PA66	
L E D	LED type	/	
	Rated voltage	/	
	Rated current	/	
	LED color	/	
	LED life	/	