



# YETDA INDUSTRY LTD.

## 2.3" SINGLE DIGIT RED LED DISPLAY

### S-23012AUF11

#### DESCRIPTION

- \* 2.3" (56.8mm) Inch Digit Height.
- \* High Bright Red Display.
- \* Black Face and White Segment Color.
- \* Common Anode.

#### ABSOLUT MAXIMUM RATINGS AT Ta=25°C

Parameter		UNIT
Power Dissipation.	50	mW
Peak Forward Current Per Seg. & Dot	100	mA
Forward current Per Seg. & Dot (Static)	30	mA
Reverse Voltage Per Seg.	20	V
Reverse Voltage Per Dot	10	
Operation Temperature Range	-25°C TO +80°C	°C
Storage Temperature Range	-25°C TO +100°C	°C
Lead Soldering Temperature	260°C for 3 seconds 1.6mm(1/16 inch) from body	

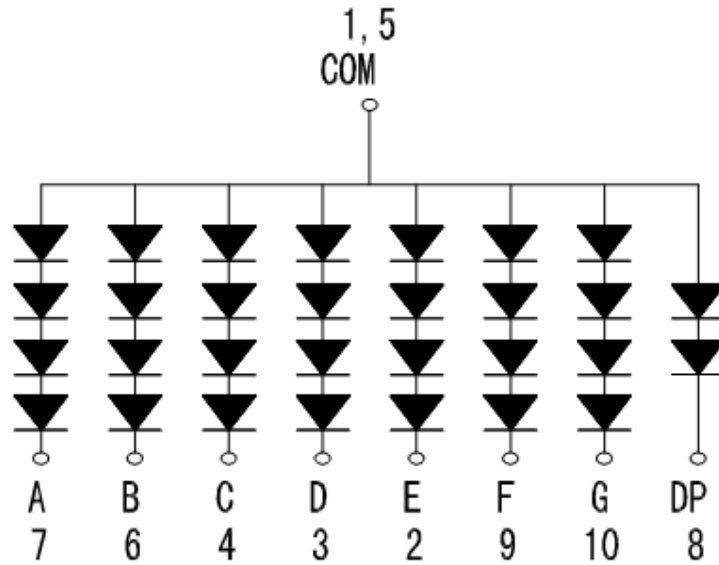
#### ELECTRICAL/OPTOTICAL CHARACTERISTIC AT Ta=25°C

PARAMETER	SYMBOL	MIN.	TYP.	MAX.	UNIT	CONDITION
Average Luminous Intensity	I <sub>v</sub>		65		mcd	If=20mA
Peak Emission Wavelength	λ <sub>d</sub>		625		nm	If=20mA
DC Forward Voltage	V <sub>f</sub>		2.0		V	If=20mA
DC Reverse Current	I <sub>r</sub>			20	uA	V <sub>r</sub> =7V
Luminous Intensity Matching Ratio	I <sub>v</sub> -m	2 : 1				If=20mA

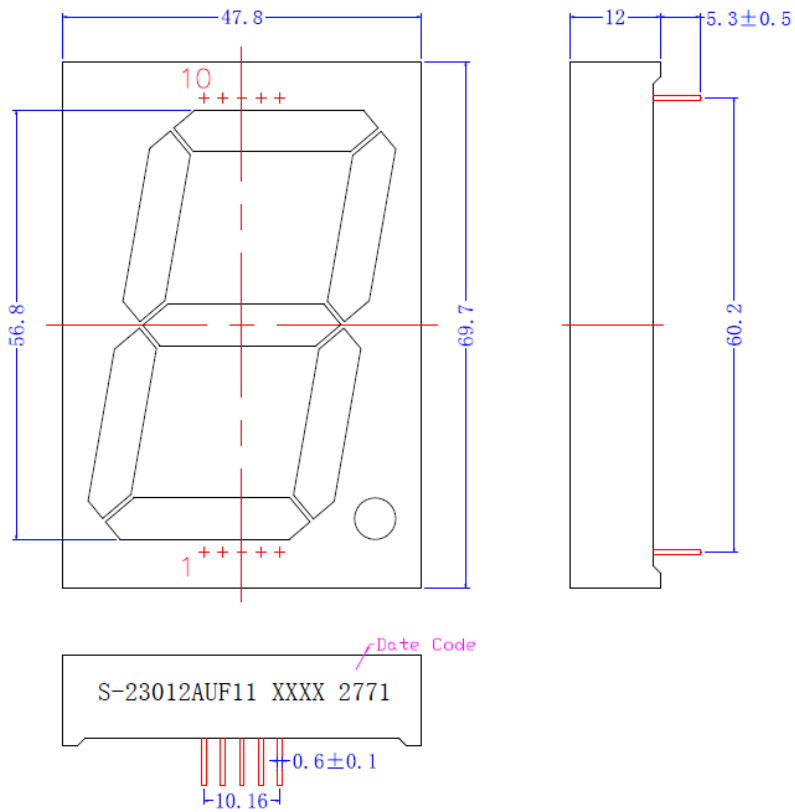


# YETDA INDUSTRY LTD.

## P.C.B. Pin Connection



## Reflector Dimensions



Unit:mm