
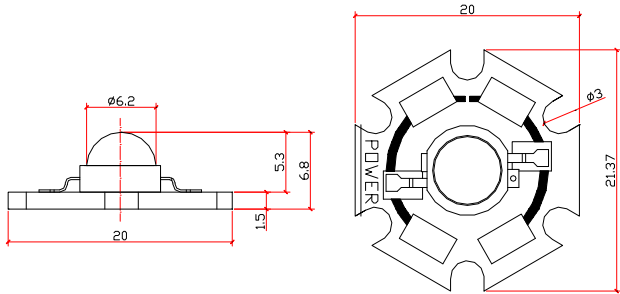


YETDA STAR TYPE POWER LED

| Part No. | Color | Wavelength | Luminous Flux | Forward Current | Forward Voltage | Operating Temperature Range | Viewing Angle |
|----------|-------|-------------|---------------|-----------------|-----------------|-----------------------------|----------------|
| | | λ_D | lm | mA | If=350mA | | 2 θ 1/2 |

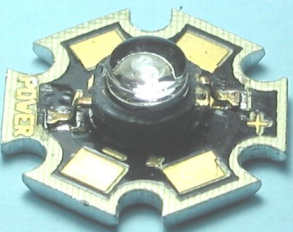
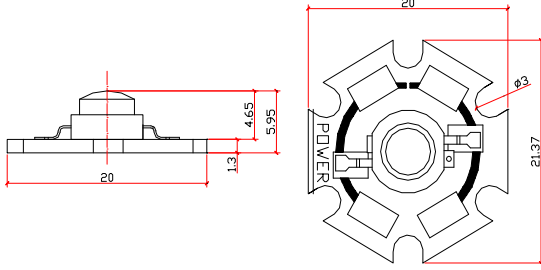
1W High Power LED (Star) Lambertian

UNIT:mm

| | | | | | | | |
|---|--------------|--|----|-------|----------|----------------|---------|
|  | |  | | | | | |
| R031F | Red | 625nm | 45 | 350mA | 1.8-2.4V | -20°C to +80°C | 120 deg |
| Y031F | Yellow | 590nm | 35 | | | | |
| B031F | Blue | 470nm | 18 | | | | |
| E031F | Bluish-Green | 505nm | 65 | | | | |
| G031F | Pure-Green | 525nm | 65 | | | | |
| W031F | White | 7000K-9000K | 76 | | | | |
| WW031F | Warm White | 2500K-4500K | 65 | | | | |
| WW031F-S | Warm White | 4500K-6500K | 65 | | | | |

1W High Power LED (Star) Batwing

UNIT:mm

| | | | | | | | |
|---|--------------|--|----|-------|----------|----------------|---------|
|  | |  | | | | | |
| R030F | Red | 625nm | 45 | 350mA | 1.8-2.4V | -20°C to +80°C | 110 deg |
| Y030F | Yellow | 590nm | 35 | | | | |
| B030F | Blue | 470nm | 18 | | | | |
| E030F | Bluish-Green | 505nm | 65 | | | | |
| G030F | Pure-Green | 525nm | 65 | | | | |
| W030F | White | 7000K-9000K | 76 | | | | |
| WW030F | Warm White | 2500K-4500K | 65 | | | | |
| WW030F-S | Warm White | 4500K-6500K | 65 | | | | |