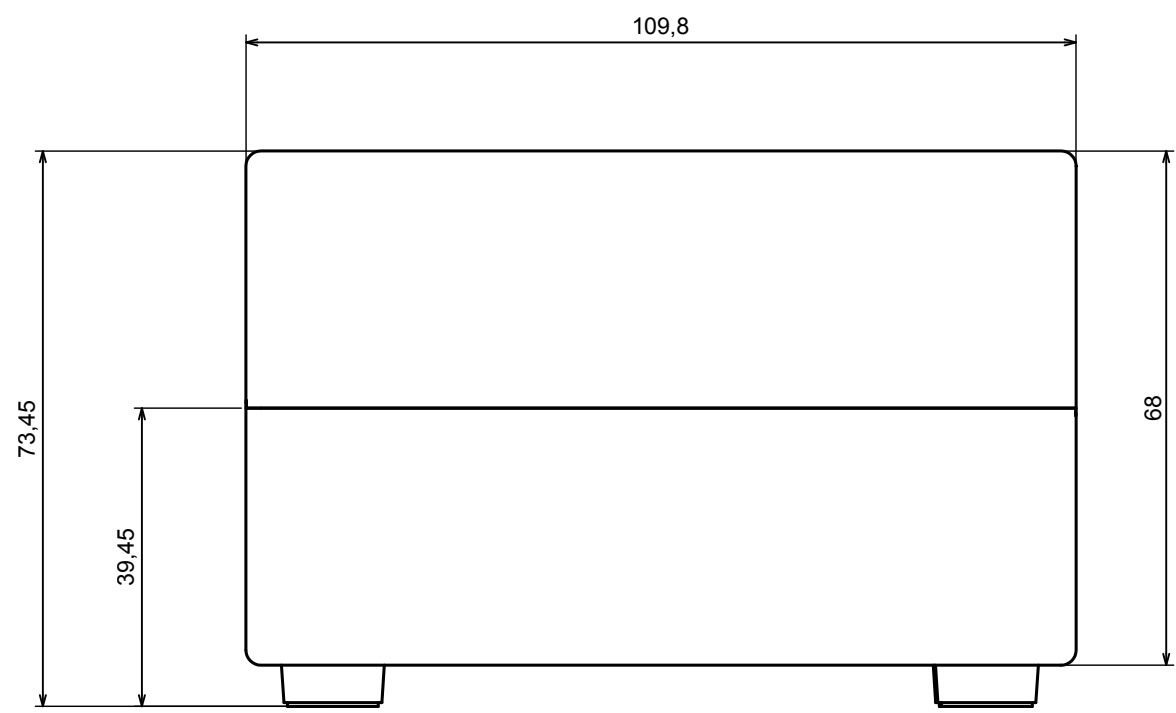
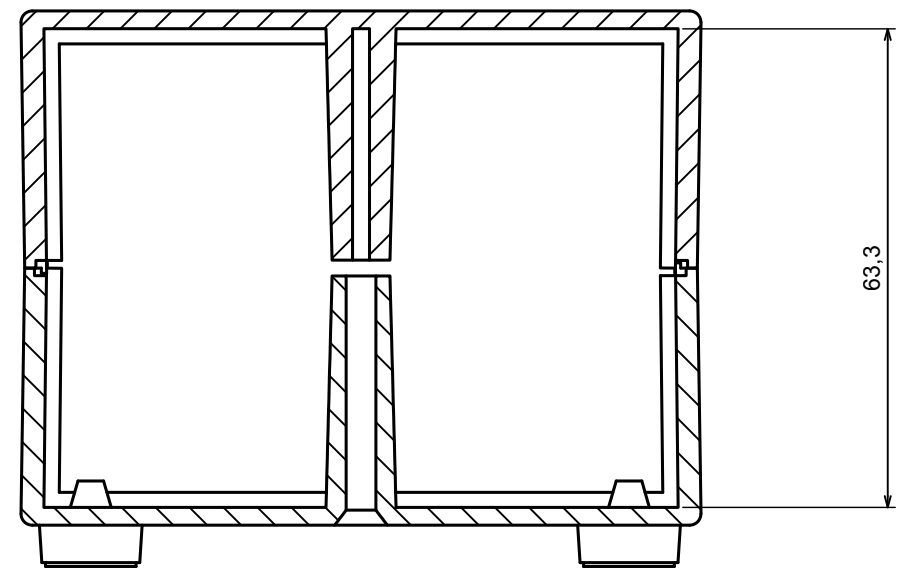


A |



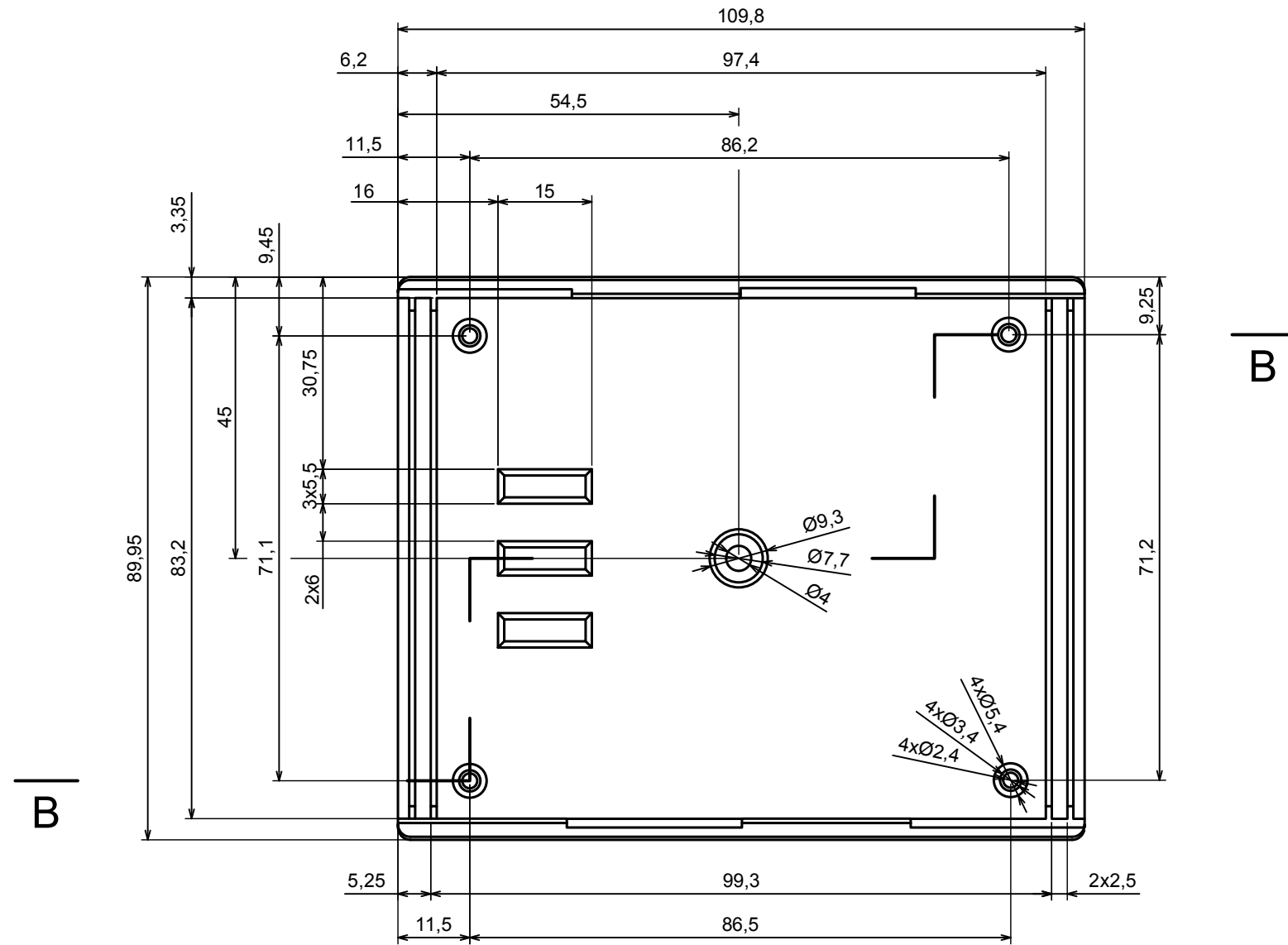
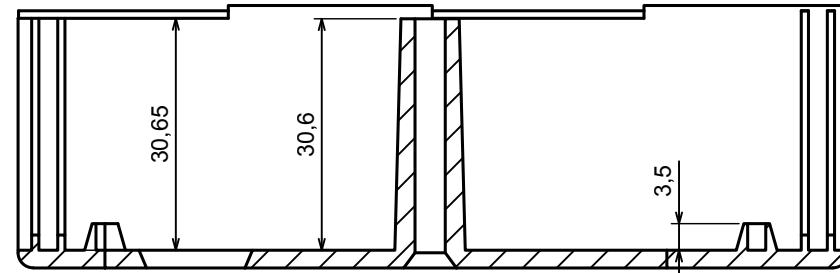
A |


A-A



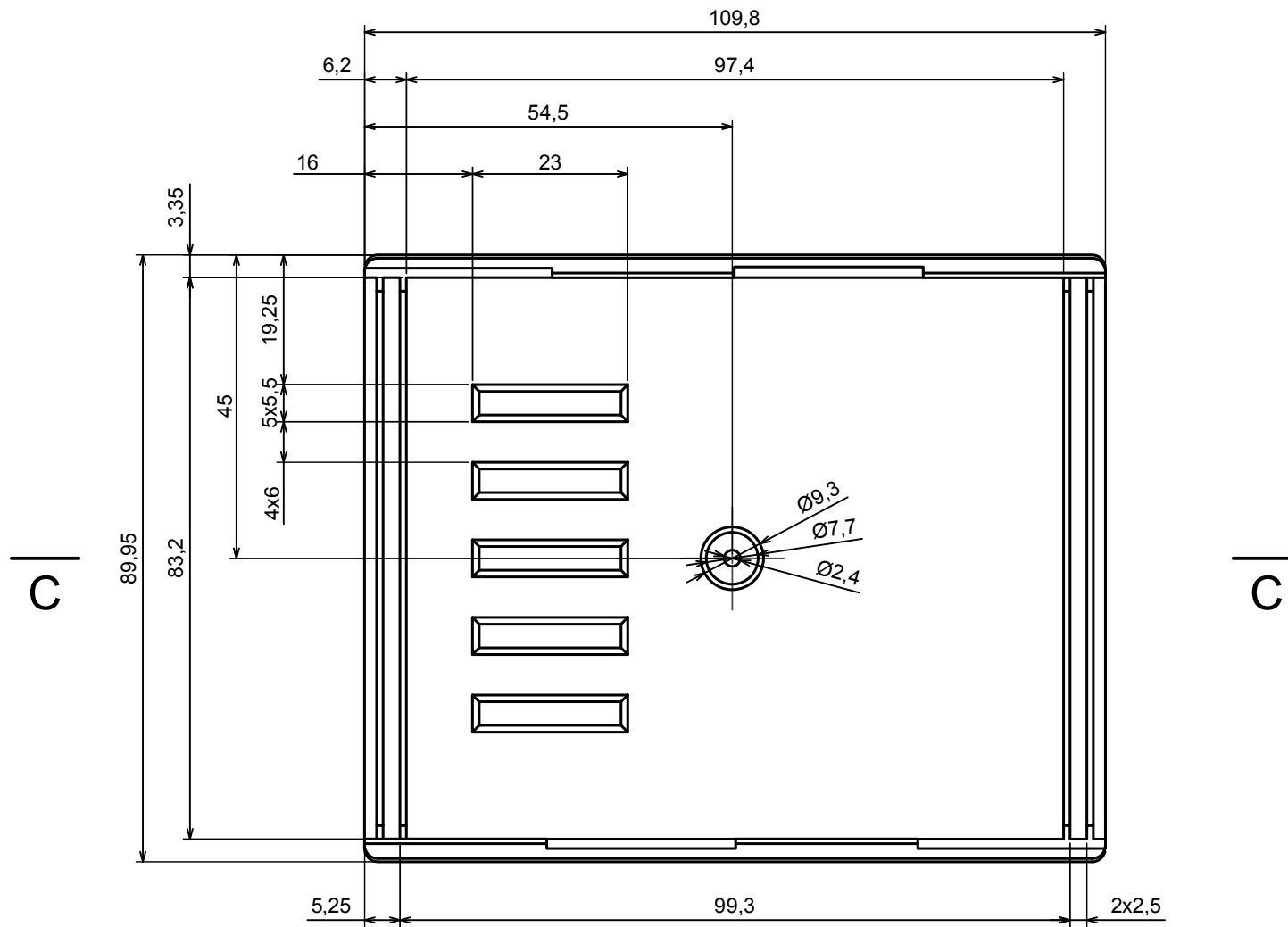
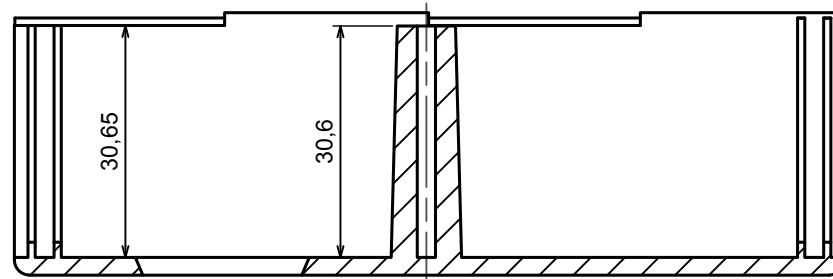
All rights reserved, Copyright Kradox 2018		
Product model	Enclosure Z3AW - Assembly	
Format: A3	Material: PS, ABS	
Scale 1:1	Tolerance: +/- 0.5	

B-B



All rights reserved, Copyright Kradox 2018		
Product model	Enclosure Z3AW - Base	
Format: A3	Material: PS, ABS	
Scale 1:1	Tolerance: +/- 0.5	

C-C



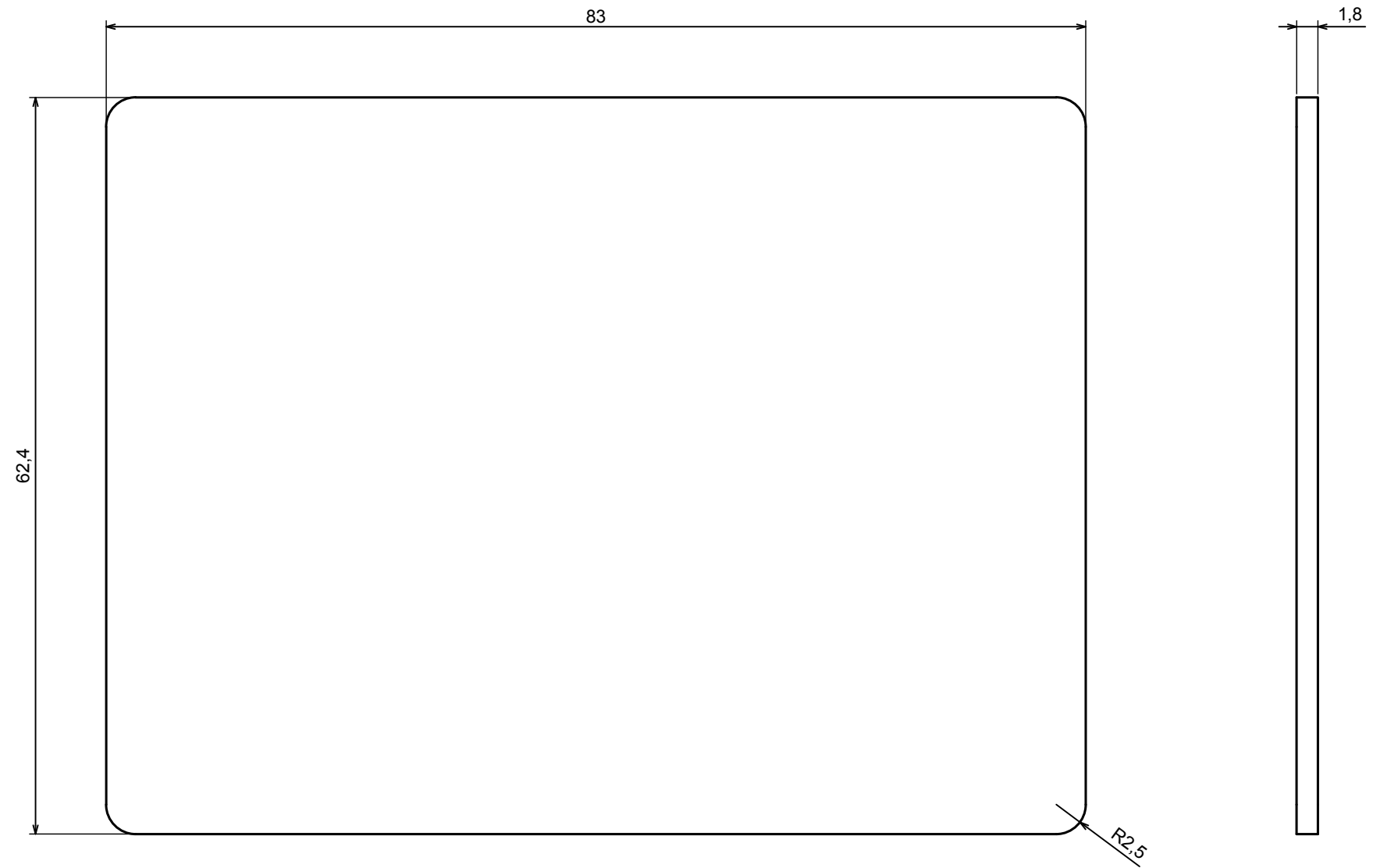
All rights reserved, Copyright Kradex 2018


Product model: Enclosure Z3AW - Cover

Format: A3 Material: PS, ABS

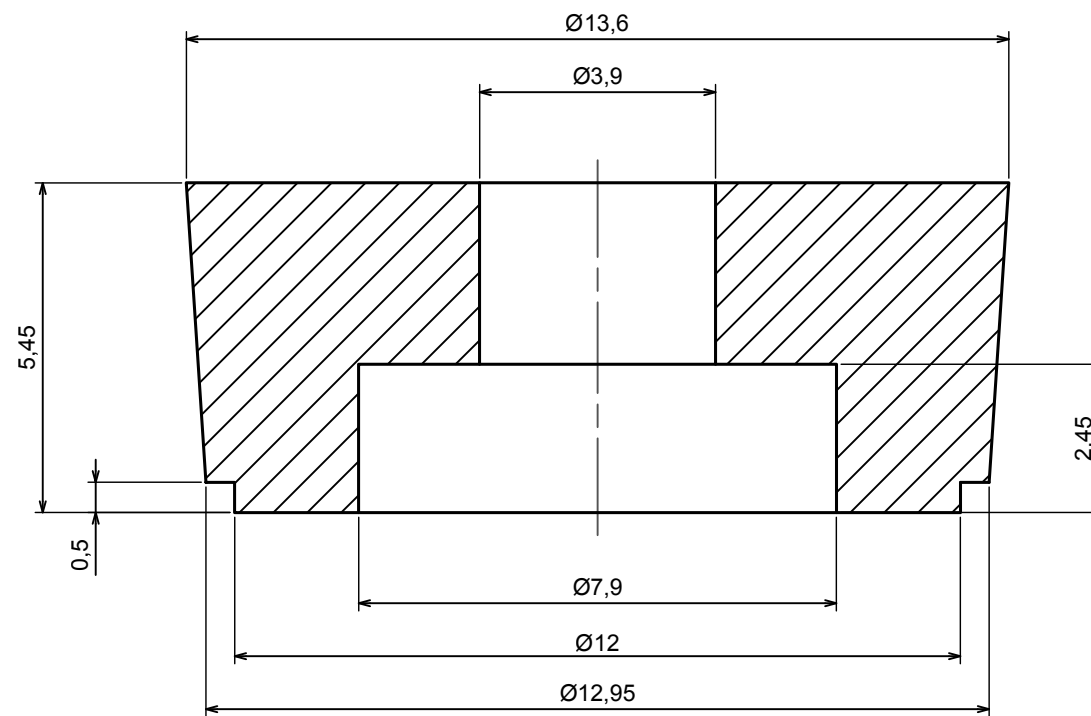
Scale 1:1 Tolerance: +/- 0.5





All rights reserved, Copyright Kradox 2018		
Product model	Enclosure Z3AW - Board	
Format: A3	Material: PS, ABS	
Scale 2:1	Tolerance: +/- 0.5	

D-D



All rights reserved, Copyright Kradex 2018

Product model: Enclosure Z3AW - Foot

Format: A3 Material: PS, ABS

Scale 8:1 Tolerance: +/- 0.5

