

LQH32CN471K23#

“#” indicates a package specification code.

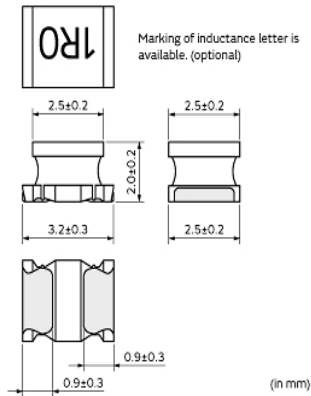
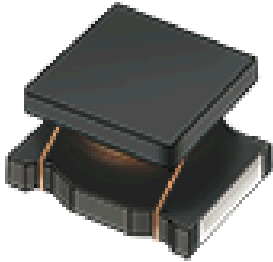
Size Code 3225 (1210) in mm (in inch)



< List of part numbers with package codes >

LQH32CN471K23K LQH32CN471K23L

Appearance & Shape



References

Packaging	Specifications	Standard Packing Quantity
K	330 Embossed Tape	7500
L	180 Embossed Tape	2000

Mass (typ.)	
1 piece	0.06g

Notices

When rated current is applied to the products, self-temperature rise shall be limited to 20°C max and inductance will be within ±10% of initial inductance value.

Attention

1. This datasheet is downloaded from the website of Murata Manufacturing Co., Ltd. Therefore, its specifications are subject to change or our products in it may be discontinued without advance notice. Please check with our sales representatives or product engineers before ordering.
2. This datasheet has only typical specifications because there is no space for detailed specifications. Therefore, please review our product specifications or consult the approval sheet for product specifications before ordering.

LQH32CN471K23#

“#” indicates a package specification code.



Specifications

L size	3.2±0.3mm
W size	2.5±0.2mm
T size	2.0±0.2mm
Size code inch (mm)	1210 (3225)
Inductance	470µH±10%
Inductance Test Frequency	1kHz
Rated current (Itemp) (Based on Temperature rise)	60mA
Max. of DC resistance	24.7Ω
Class of magnetic shield	No Shield
Self resonance frequency (min.)	5MHz
Operating Temperature Range(Self-temperature rise is not included)	-40°C to 85°C
DC Resistance Intermediate Values	19Ω±30%
Series	LQH32CN_23

Attention

1.This datasheet is downloaded from the website of Murata Manufacturing Co., Ltd. Therefore, it's specifications are subject to change or our products in it may be discontinued without advance notice. Please check with our sales representatives or product engineers before ordering.

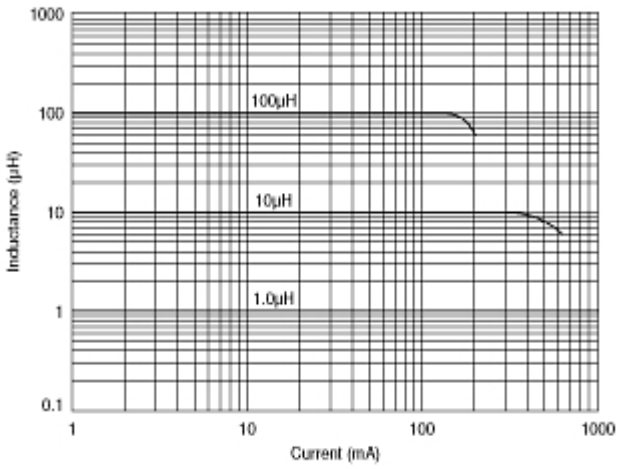
2.This datasheet has only typical specifications because there is no space for detailed specifications.

Therefore, please review our product specifications or consult the approval sheet for product specifications before ordering.

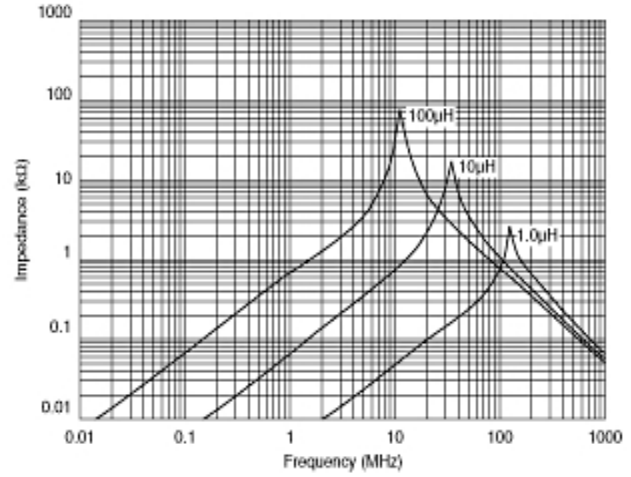
LQH32CN471K23#

“#” indicates a package specification code.

Characteristic Data



Impedance - Current Characteristics



Impedance - Frequency Characteristics

Attention

- 1.This datasheet is downloaded from the website of Murata Manufacturing Co., Ltd. Therefore, it's specifications are subject to change or our products in it may be discontinued without advance notice. Please check with our sales representatives or product engineers before ordering.
- 2.This datasheet has only typical specifications because there is no space for detailed specifications. Therefore, please review our product specifications or consult the approval sheet for product specifications before ordering.